

1 2 3 4 5 6 7

A

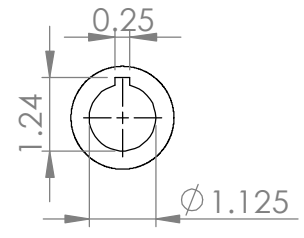
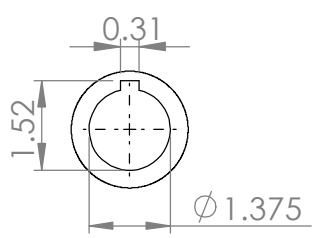
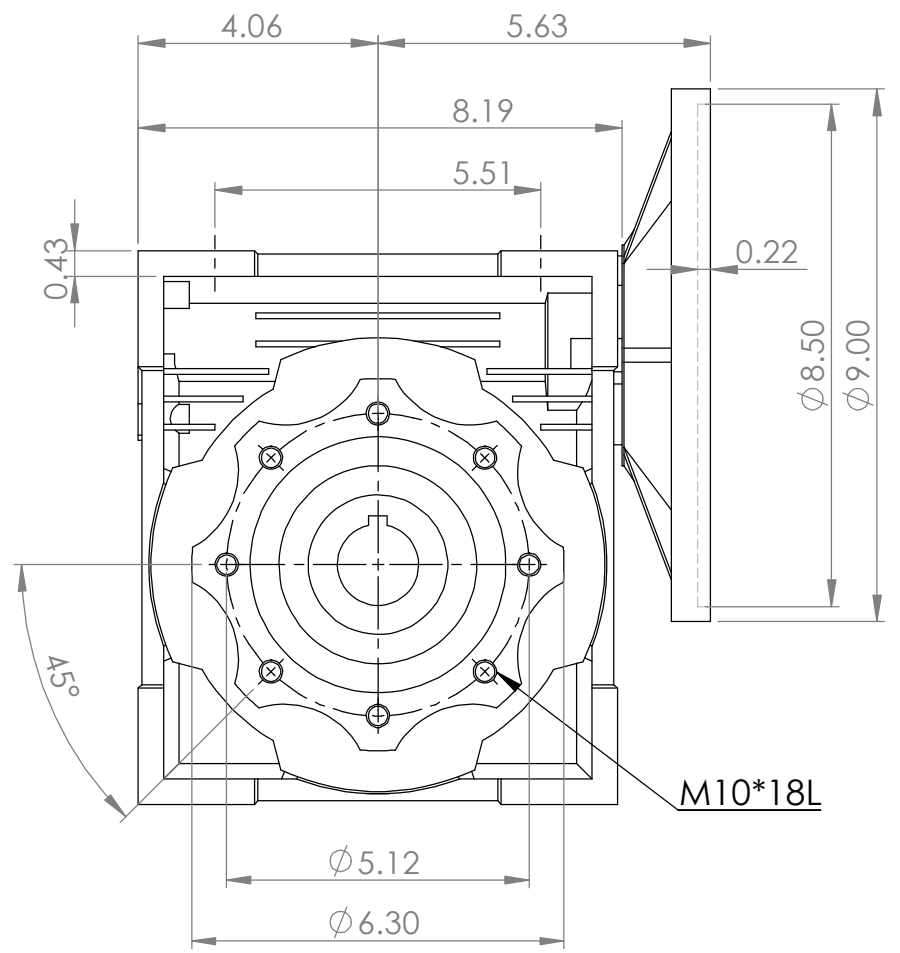
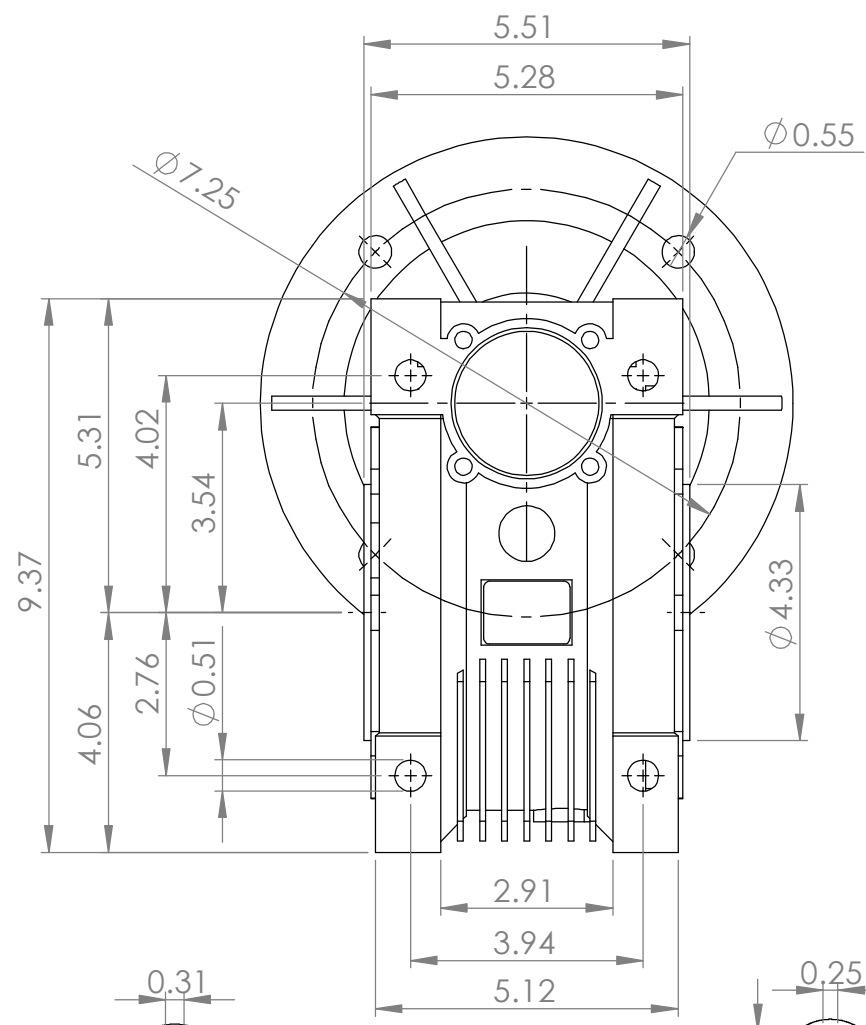
B

C

D

E

F



OUTPUT BORE

INPUT BORE

NO.	PART NO.	MATERIAL	PC	RAW MATERIAL	WEIGHT	NOTE
SCABBLE TOLERANCE		DWG.	2014.06.21	CHUN-YA	<b>WORLD WIDE</b>	
>0	$\pm 0.1$	DESN.				
>6	$\pm 0.2$	APPR.				
>30	$\pm 0.3$					
>120	$\pm 0.5$					
>315	$\pm 0.8$					
MACHINING REQUIRED		DATE	NAME	TITLE	CALM90-182/4TC	
~	NO-MACHINING					
$\nabla$	50S					
$\nabla\nabla$	25S					
$\nabla\nabla\nabla$	6S					
ANG. TOLERANCE	$\pm 0.5$	SCALE	1:3.25	DWG. NO.	CALM90-182/4TC	REV. $\triangle$

NO.	SECTION	ORIGIN	MODIFICATION	DATE	IN CHARGE